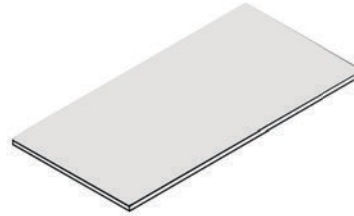
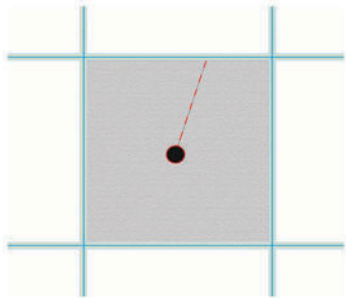


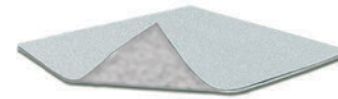
ITEM# 2212 - 24" x 24"



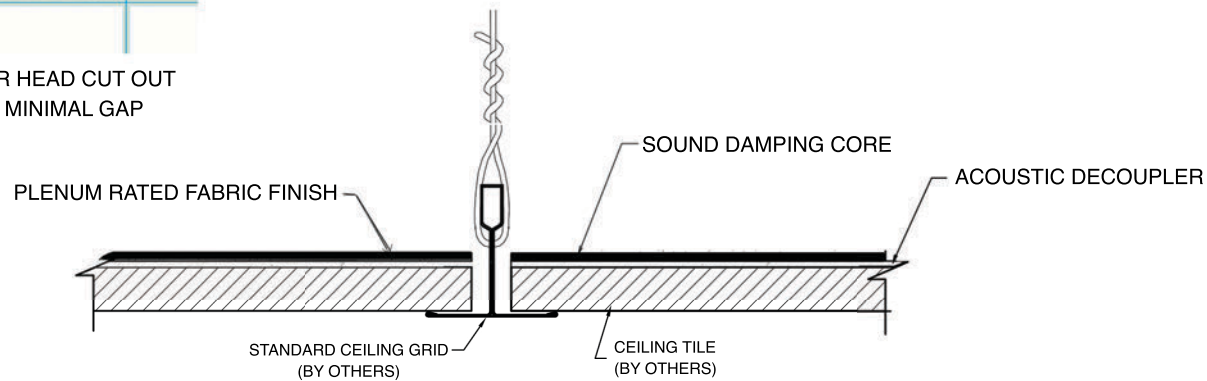
ITEM# 2214 - 24" x 48"



SPRINKLER HEAD CUT OUT
MAINTAIN MINIMAL GAP



NON WOVEN FABRIC FACE DOWN



SHIELD GUARD TILE BACKER

SHIELD GUARD TILE BACKERS ARE AVAILABLE IN 24" x 24" AND 24" x 48" SIZES AND INSTALL ON TOP OF ACOUSTICAL CEILING TILES IN STANDARD CEILING GRID SYSTEMS.



TITLE:
SHIELD GUARD TILE BACKER
INSTALLATION DETAILS

ITEM CODES:
ITEM# 2212 - 24" x 24"
ITEM# 2214 - 24" x 48"

DATE ISSUED:
04/18/2019

DRAWN BY:
AKV

DRAWING NO.
SGS-TB-INSTALL0419