

SPEECH GUARD SYSTEM INSTALLATION

Page one of three



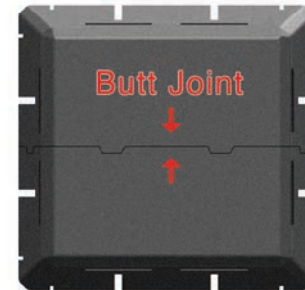
The following installation instructions are given as a general guide to avoid common errors. Installer should follow best practices for construction and workmanship. Speech Guard bears no responsibility for installation or contractor selection. Please contact a sales representative if you have questions, concerns or specific project requirements.

Be sure to inspect materials upon delivery. Please note any damage on the delivery ticket and notify Speech Guard immediately. Materials should be stored in original packing in a clean, climate controlled environment free of moisture. Installation should not commence until building is enclosed and under standard occupancy conditions and surfaces are of acceptable condition and properly prepared. Do not install materials of unacceptable quality.

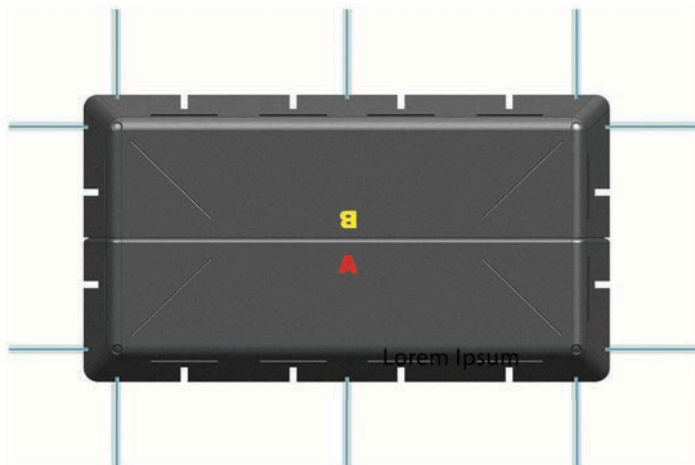
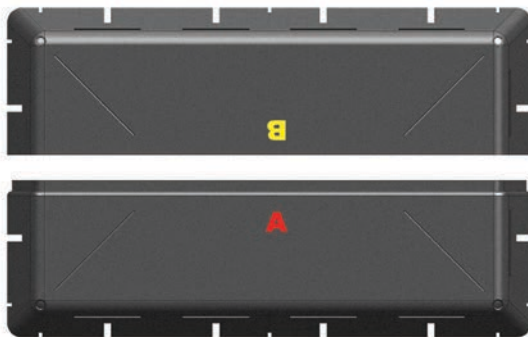
Overlap to Create Ship Lap



2' x 4' Hood Joint



2' x 2' Hood Joint



- Take **A** section (underside of ship lap) through the ceiling grid into plenum
- Locate ceiling support wire and cut a slit for ceiling wire to pass, place hood over light (slots on bottom corners align with ceiling grid)
- Repeat above with the **B** section (upper side of ship lap)
- Now apply bonding paste within the ship lap joint and tape hood together to insure proper bonding
- Repeat process for next light hood

Speech Guard 103 Sparta Road Stanhope, NJ 07874

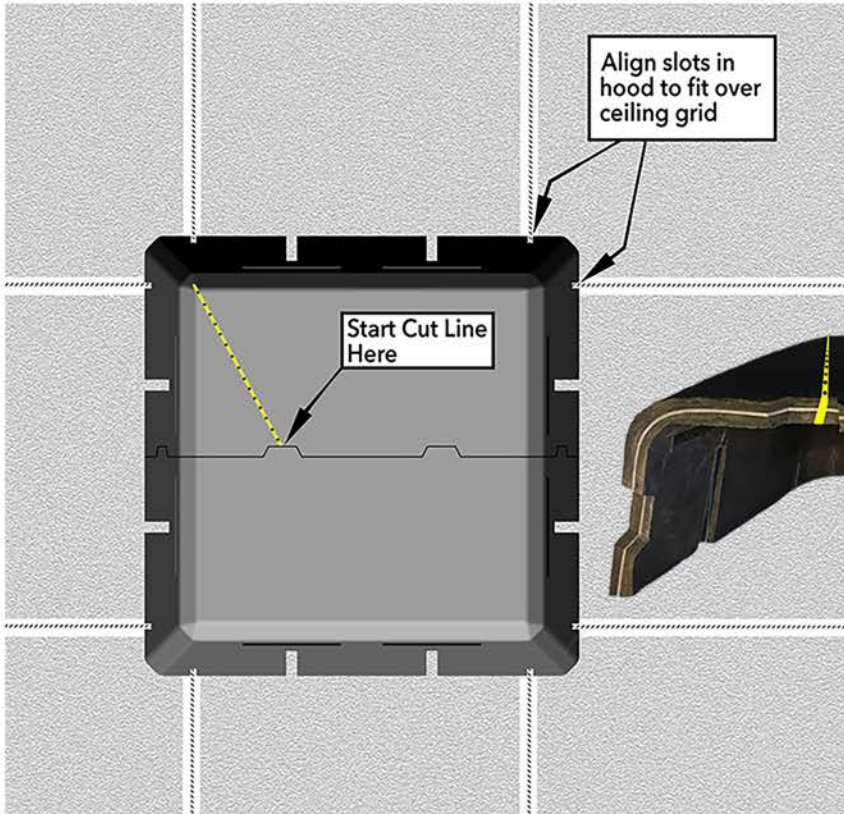
Phone: (908) 508-0050 Fax: (908) 464-6497 Email: saisupport@spirit-acoustics.com Website: www.speechguard.net

SPEECH GUARD SYSTEM INSTALLATION

Page two of three



Note: Actual Cut lines will be chosen by the installer as required.



Cutting
SEPTUM
Light Hoods



We recommend you choose



Wiss 10" Scissors
Number: W10T

for your installation.

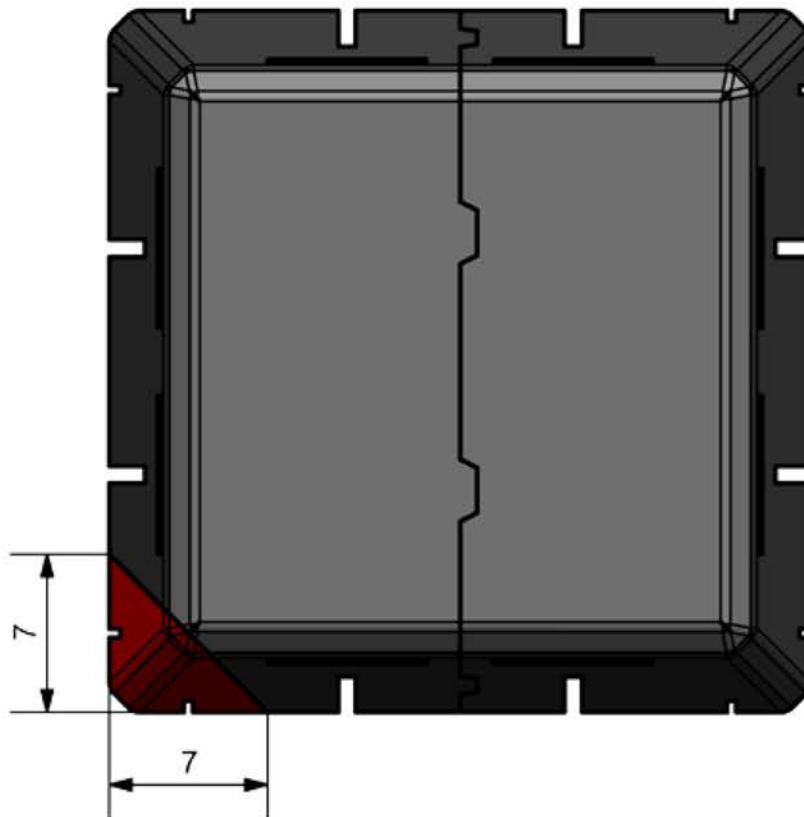
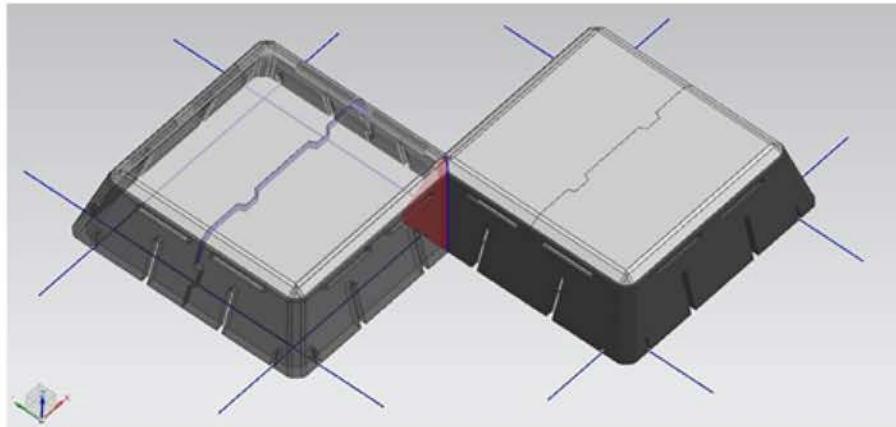


SPEECH GUARD SYSTEM INSTALLATION

Page three of three



When two units will meet at an adjacent corner, the edges may be cut in the following manner.



Speech Guard 103 Sparta Road Stanhope, NJ 07874

Phone: (908) 508-0050 Fax: (908) 464-6497 Email: saisupport@spirit-acoustics.com Website: www.speechguard.net