

4

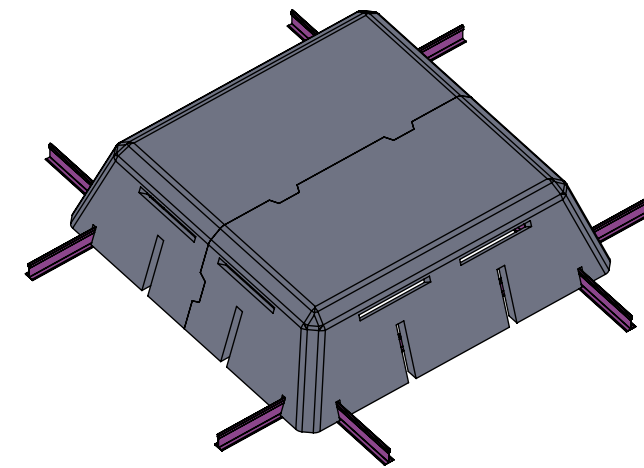
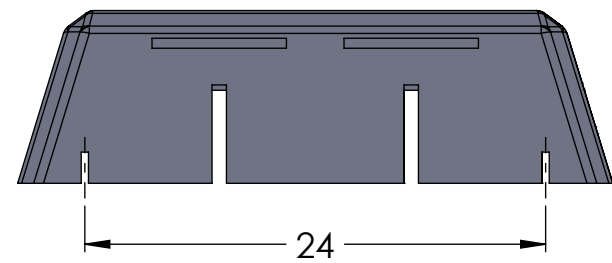
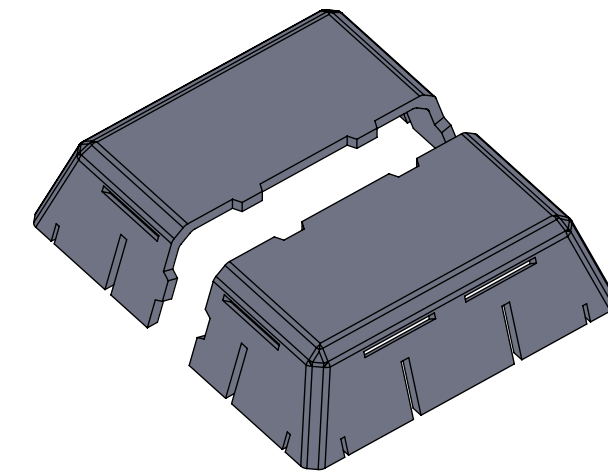
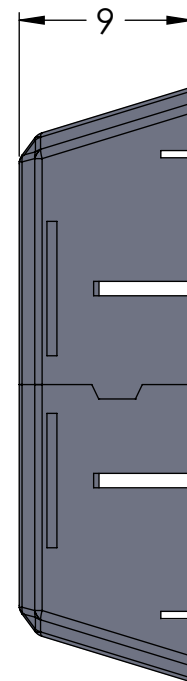
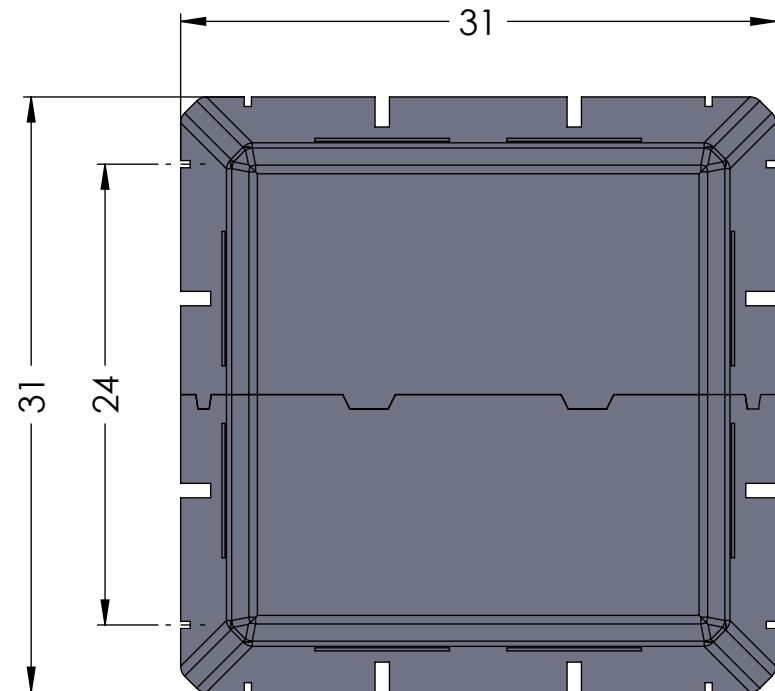
3

2

1

PN	Application	Part Thickness
1532	Equipment Noise, STC - 26	1"
1132	Speech Privacy, NRC - .99	1"

REVISIONS				
ZONE	REV.	DESCRIPTION	DATE	APPROVED
	0	Released For Production	4/18/24	JM



Black non-woven polyester scrim

1lb barrier septum

Black non-woven polyester scrim

Material Layup  
PN: 1532



Fiberglass Core  
Fiberglass Core

Black non-woven polyester scrim

Fiberglass Core

Black non-woven polyester scrim

Material Layup  
PN: 1132



UNLESS OTHERWISE SPECIFIED:		NAME	DATE
UNITS: INCHES	DRAWN	JB	4/18/24
	CHECKED		
	ENG APPR.		
	MFG APPR.		
	Q.A.		

**Speech Guard System**

TITLE:  
Speech Guard Light Hood

SIZE <b>B</b>	DWG. NO. SGSHOOD2X2	REV <b>0</b>
------------------	------------------------	-----------------

SCALE: 1:10 WEIGHT: SHEET 1 OF 1

**PROPRIETARY AND CONFIDENTIAL**  
 THE INFORMATION CONTAINED IN THIS DRAWING IS THE SOLE PROPERTY OF SPIRIT ACOUSTICS INC.. ANY REPRODUCTION IN PART OR AS A WHOLE WITHOUT THE WRITTEN PERMISSION OF SPIRIT ACOUSTICS INC. IS PROHIBITED.



4

3

2

1